

UR10-AIR | Controller for air quality sensors

UR10-AIR is an electronic controller designed for switching, for example fans, depending on the concentration of gaseous pollutants in air. It is suitable for use in workplaces, households, public areas, etc.

- › very easy to use
- › simple installation
- › easy DIN rail mounting
- › small dimensions
- › analog output 0 – 10 V
- › control output – NO-C-NC relay contacts
- › simply adjustable switching limits
- › remembers the last state after AC power is restored



Description:

The controller allows you to easily set the lower and upper switching limit of the output relay with use of two rotary elements. The output is equipped with a NO-C-NC switching relay. Current status of the controller is clearly displayed by indicator lights.

Controller is intended for air quality sensors with standard analog output 0 – 10 V.

Technical data:

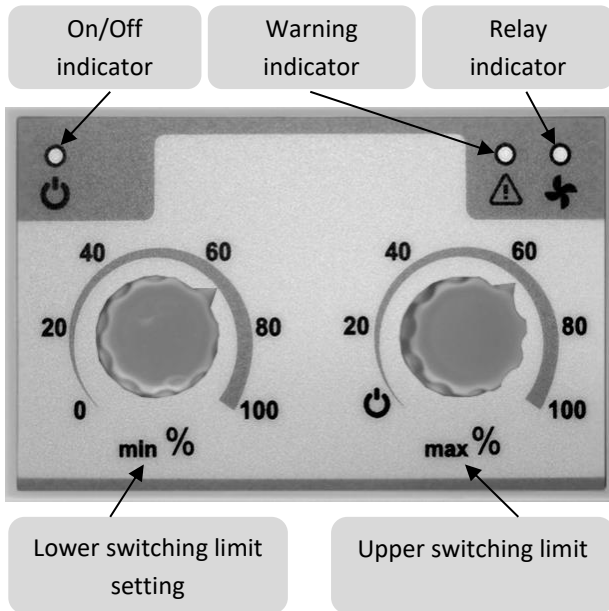
Parameter	Value	Unit
Power supply	230	V AC
Power consumption	5	VA
Analog output	0 - 10	V DC
Switching voltage	max. 250	V AC
Switching current	max. 10	A
Input resolution	10	mV
Protective time*	60	s
Other parameters		
Working temperature	-20 to +40	°C
Ingress protection	IP20	
Dimensions	257x100x60	mm
* From the moment of connecting the power supply, the protective time of 60 seconds begins to run. During this time, output relay switching is blocked. This time is used to stabilize the parameters of air quality sensors after power on.		

Explanation of abbreviations and technical terms can be found on our website in the [Glossary](#) section.



UR10-AIR | Controller for air quality sensors

Controls



Switching the controller On / Off

Switching On: controller is switched on by turning the „max %“ knob from the outer left position.

Switching Off: switch the controller Off by turning the knob to the outer left position.



Off position


Setting the lower and upper switching limits

With use of the **min%** and **max%** knobs you can set the lower and upper relay switching limits.

Installation and connection


We are recommending that the installation of the controller is entrusted to a professional. Producer is not responsible for any damage caused by incorrect installation or use.

LED indicators

 **On / Off indicator**

OFF – indicator flashes every 5 s.
ON – indicator shines continuously.

Flashing every 0,5s indicates, that the air quality sensor is not connected.

 **Indication of closed relay contacts**

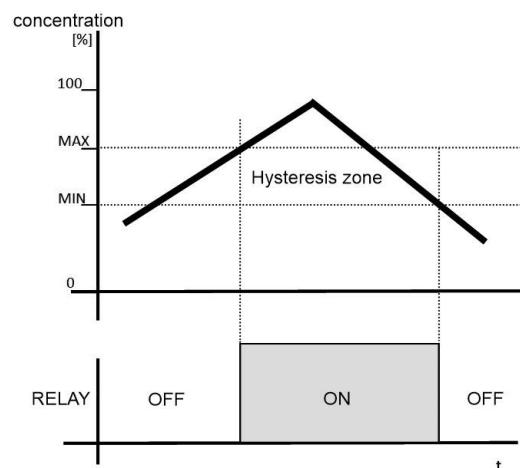
- Continuous shining of the indicator means relay contacts are closed.
- Flashing every 0,5s indicates waiting for stabilization of air quality sensor parameters.

 **Warning indicator**

- Continuous shining indicates that the minimum level is set above the maximum – relay is inactive.
- Flashing indicates, that the difference between set „min %“ and „max %“ is lower than 1%.

Flashing accelerates with this difference diminishing.

Relay switching graph



Way to use

The product is intended for indoor use only.

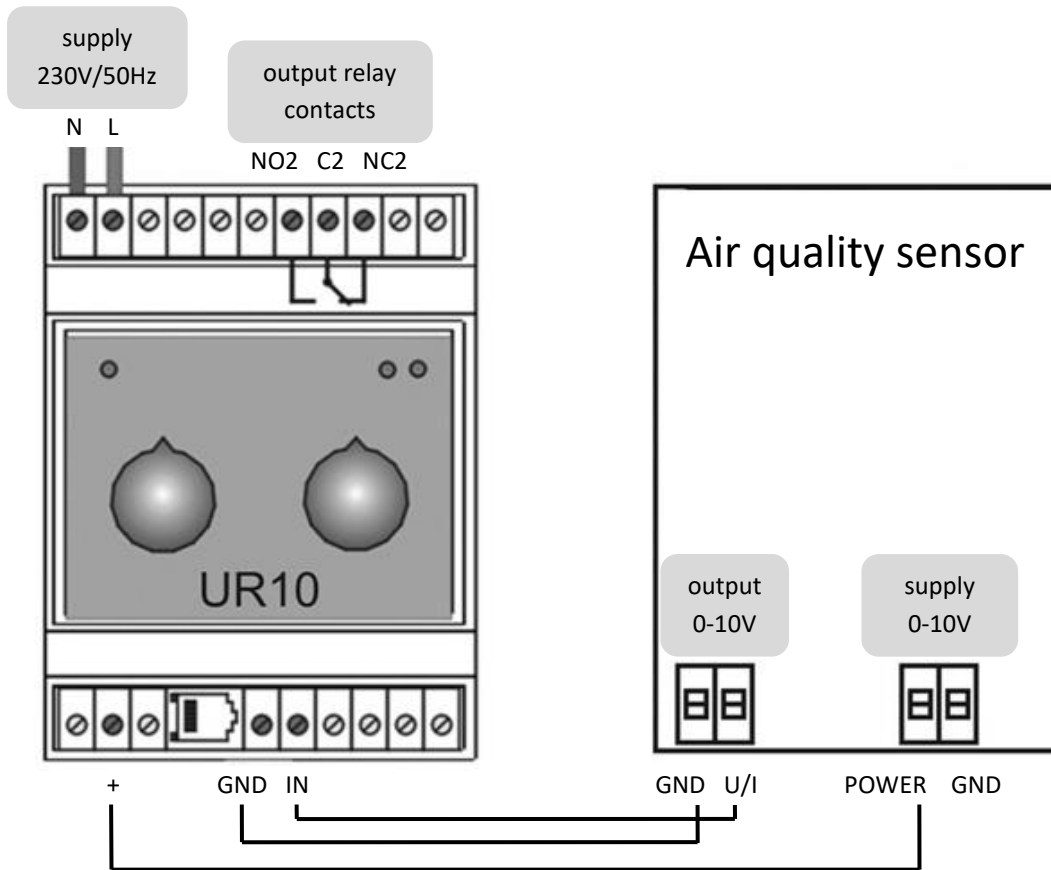
End of product life

Discard the product in according to the electronic waste law and the EU directives.

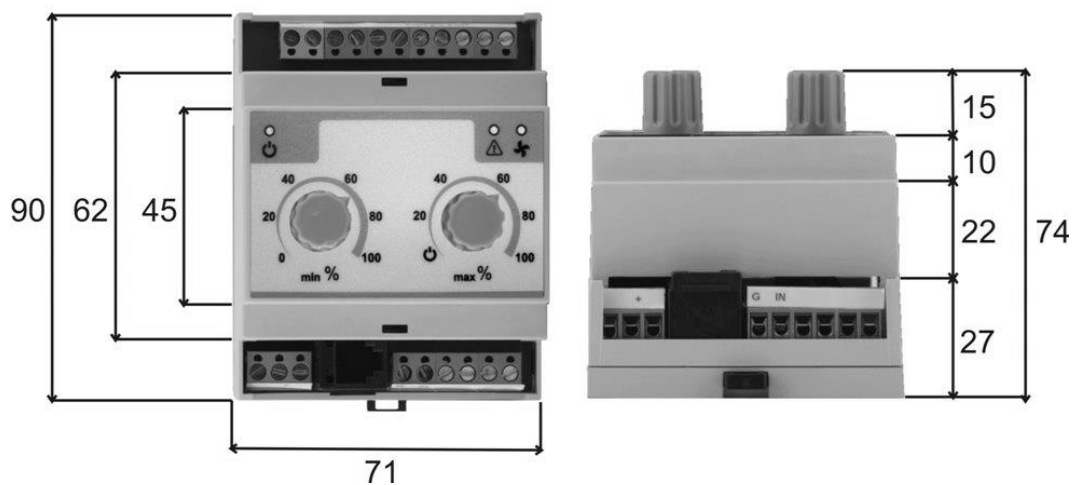


UR10-AIR | Controller for air quality sensors

Terminals and connection:



Dimensions (mm):



The producer reserves the right of technical changes in order to product improvements its properties and functions without previous notice.

